



Document Title	M150GNN2 R0 Product Information		Page No.	1/23	
Document No.		Issue date	2013/04/26	Revision	01

Product Information

To:

Product Name: M150GNN2 R0

Document Issue Date: 2013/04/26

Customer	InfoVision Optoelectronics
<p><u>SIGNATURE</u></p> <p>_____</p> <p>_____</p> <p>_____</p> <p>Please return 1 copy for your confirmation with your signature and comments.</p>	<p><u>SIGNATURE</u></p> <p>REVIEWED BY QA</p> <p>_____</p> <p>PREPARED BY FAE</p> <p>_____</p>

- Note: 1. Please contact InfoVision Company before designing your product based on this product.
 2. The information contained herein is presented merely to indicate the characteristics and performance of our products. No responsibility is assumed by IVO for any intellectual property claims or other problems that may result from application based on the module described herein.

FQ-7-30-0-009-03C



Document Title	M150GNN2 R0 Product Information			Page No.	2/23
Document No.		Issue date	2013/04/26	Revision	01

Revision	Date	Page	Old Description	New Description	Remark
00	2013/04/24	all	--	First issue.	
01	2014-6-4	16	Not Define Idd	Define Idd 0.40A	

IVO Confidential document



Document Title	M150GNN2 R0 Product Information		Page No.	3/23	
Document No.		Issue date	2013/04/26	Revision	01

Contents

1.0 General Descriptions Introduction	3
2.0 Absolute Maximum Ratings	6
3.0 Pixel Format Image	7
4.0 Optical Characteristics	8
5.0 Backlight Characteristics	11
6.0 Electrical Characteristics	12
7.0 Interface Timings	15
8.0 Power Consumption	16
9.0 Power ON/OFF Sequence	17
10.0 Mechanical Characteristics	18
11.0 Reliability	18
12.0 Package Specification	20
13.0 Lot Mark	20
14.0 General Precaution	21



Document Title	M150GNN2 R0 Product Information			Page No.	4/23
Document No.		Issue date	2013/04/26	Revision	01

1.0 General Descriptions Introduction

1.1 Introduction

The M150GNN2 R0 is a color active matrix thin film transistor (TFT) liquid crystal display (LCD) that uses amorphous silicon TFT as a switching device. It is composed of a TFT LCD panel, a backlight system, column driver and row driver circuit. This TFT LCD has a 15.0-inch diagonally measured active display area with resolution (1024 horizontal by 768 vertical pixels array).

1.2 Features

- 15.0" TFT LCD Panel
- LED Backlight System
- Supported 1024x768 pixels resolution
- Compatible with RoHS standard

1.3 Product Summary

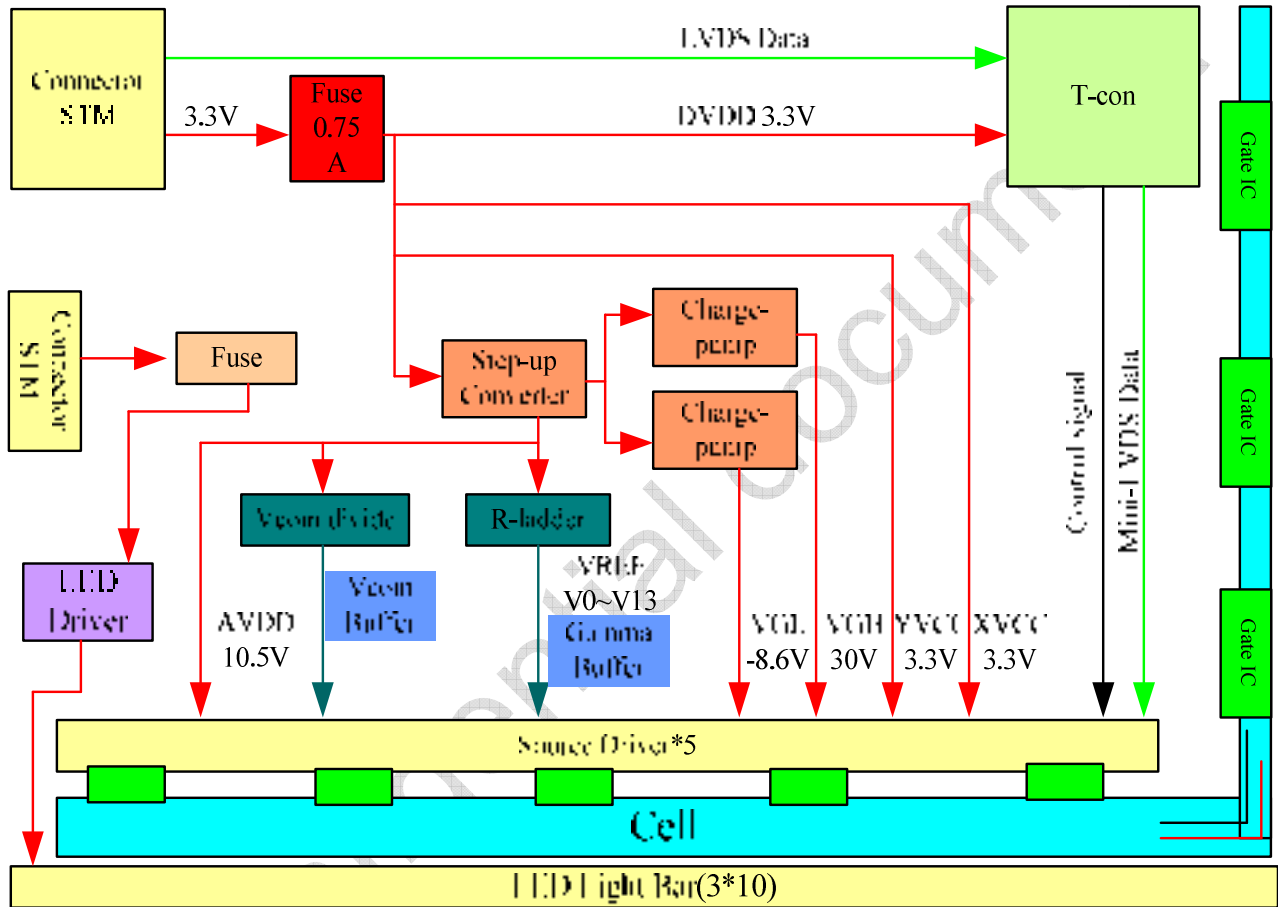
Items	Specifications	Unit
Screen Diagonal	15.0	Inch
Active Area	304.128(H) x 228.096(V)	mm
Pixels H x V	1024(RGB) x768	-
Pixel Pitch	0.297(H) x 0.297(V)	mm
Pixel Arrangement	R.G.B. Vertical Stripe	-
Display Mode	Normally White	-
White Luminance	500(Typ.)	cd /m ²
Contrast Ratio	800(Typ.)	-
Response Time	25	msec
Input Voltage	3.3	V
Weight	930(Typ.)	g
Outline Dimension (H x V x D)	326.5(Typ.) x 253.5(Typ.) x12(Typ.)	mm
Electrical Interface (Logic)	LVDS	-
Support Color	16.2M	-
Surface Treatment	Anti-glare, Hard-Coating (3H)	-

Document Title	M150GNN2 R0 Product Information		Page No.	5/23
Document No.		Issue date	2013/04/26	Revision 01

1.4 Functional Block Diagram

Show the functional block diagram of the LCD module.

Figure 1 Block Diagram





Document Title	M150GNN2 R0 Product Information			Page No.	6/23
Document No.		Issue date	2013/04/26	Revision	01

2.0 Absolute Maximum Ratings

Table 1 Absolute Ratings of Environment

Item	Symbol	Min.	Max.	Unit	Conditions
Supply Voltage	V _{DD}	-0.5	5	V	-
Operating Temperature	TOP	-30	85	°C	Note
Operating Humidity	HOP	10	85	%RH	Note
Storage Temperature	TST	-30	85	°C	Note
Storage Humidity	HST	10	95	%RH	Note

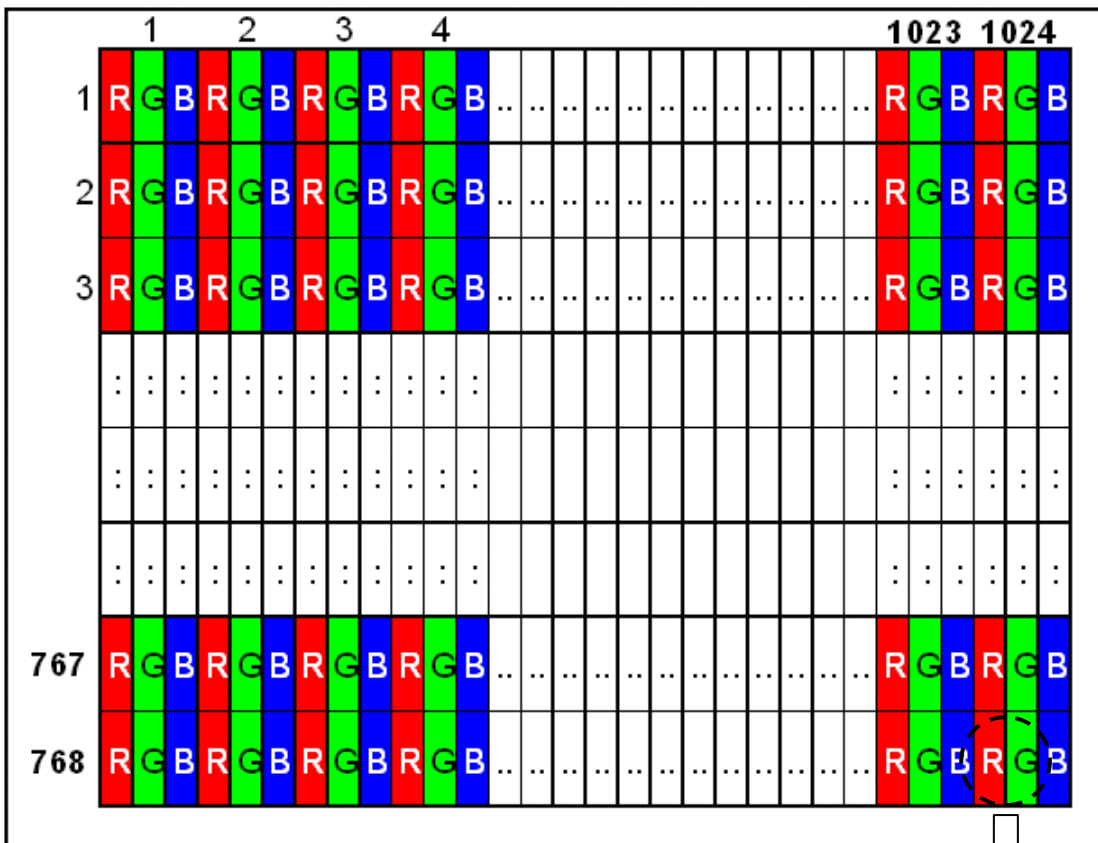
Note: Please make sure to keep the temperature of LCD module is less than 85°C.

Document Title	M150GNN2 R0 Product Information			Page No.	7/23
Document No.		Issue date	2013/04/26	Revision	01

3.0 Pixel Format Image

Figure 2 shows the relationship of the input signals and LCD pixel format image.

Figure 2 Pixel Format



R+G+B dots=1 pixel

Document Title	M150GNN2 R0 Product Information			Page No.	8/23
Document No.		Issue date	2013/04/26	Revision	01

4.0 Optical Characteristics

The optical characteristics are measured under stable conditions as following notes

Table 2 Optical Characteristics

Item	Conditions	Min.	Typ.	Max.	Unit	Note
Viewing Angle (CR>10)	Horizontal	θ_L	70	80	-	degree (1),(2),(3)
		θ_R	70	80	-	
	Vertical	θ_T	70	80	-	
		θ_B	60	80	-	
Contrast Ratio	Center	450	800	-	-	(1),(2),(4)
Response Time	Rising	-	-	-	ms	(1),(2),(5)
	Falling	-	-	-	ms	
	Rising + Falling	-	25	-	ms	
Color Chromaticity (CIE1931)	NTSC	-	70	-	%	(1),(2)
	Red x	Typ. -0.03	(0.631)	Typ. +0.03	-	(1),(2),(3) $\theta=\Phi=0^\circ$
	Red y		(0.354)		-	
	Green x		(0.318)		-	
	Green y		(0.630)		-	
	Blue x		(0.147)		-	
	Blue y		(0.075)		-	
	White x		0.255		0.305	
White y	0.275	0.325	0.375	-		
White Luminance	Center	400	500	-	cd/m ²	(1),(2),(6)
Luminance Uniformity	9Points	75	80	-	%	(1),(2),(6)

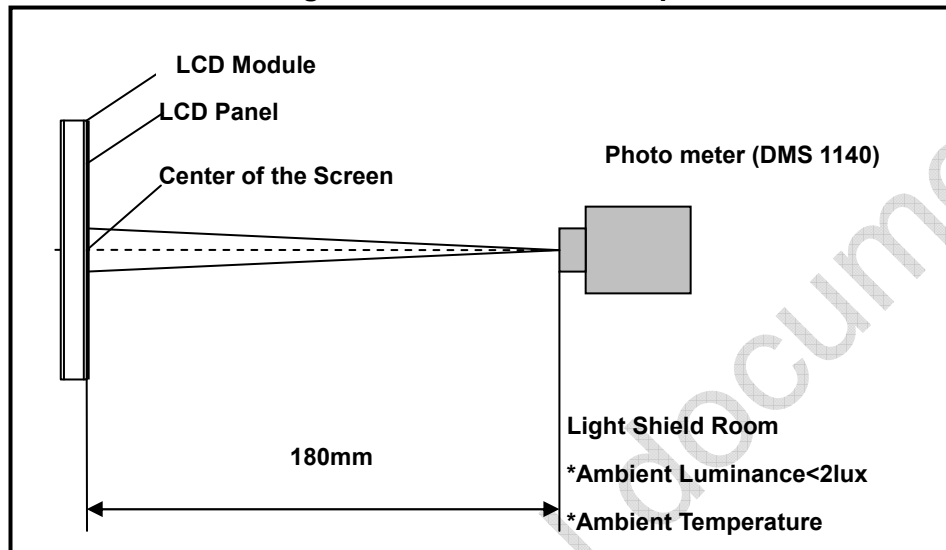
Note (1) Measurement Setup:

The LCD module should be stabilized at given temperature(25°C) for 15 minutes to

Document Title	M150GNN2 R0 Product Information			Page No.	9/23
Document No.		Issue date	2013/04/26	Revision	01

Avoid abrupt temperature change during measuring. In order to stabilize the luminance, the measurement should be executed after lighting backlight for 15 minutes in a windless room.

Figure 3 Measurement Setup



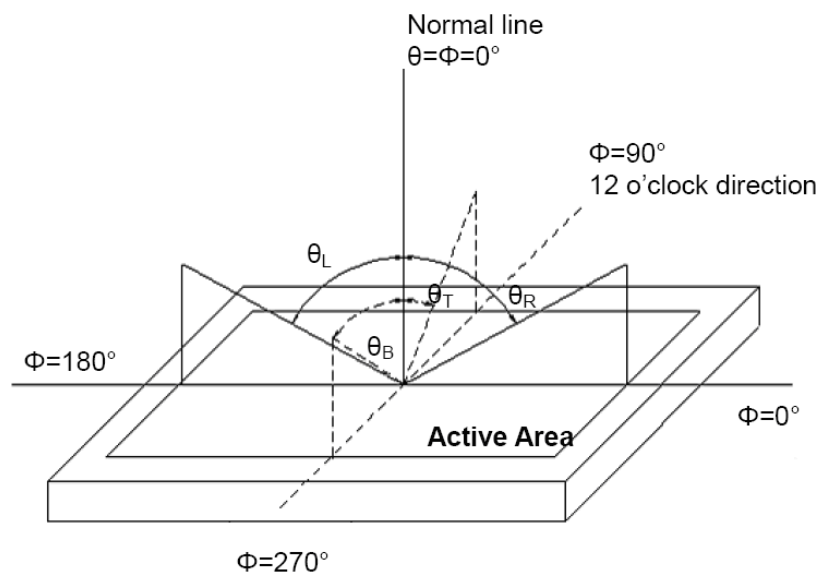
Note (2) The LED input parameter setting as:

VLED: 12V;

PWM_LED: Duty 100 %

Note (3) Definition of Viewing Angle

Figure 4 Definition of Viewing Angle



Note (4) Definition Of Contrast Ratio (CR)

The contrast ratio can be calculated by the following expression

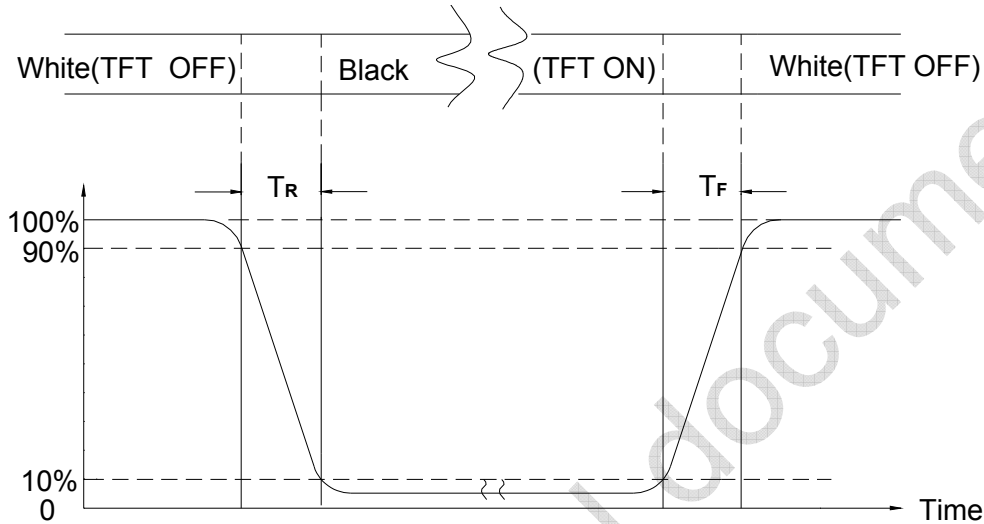
Document Title	M150GNN2 R0 Product Information			Page No.	10/23
Document No.		Issue date	2013/04/26	Revision	01

Contrast Ratio (CR) = L255 / L0

L255: Luminance of gray level 255, L0: Luminance of gray level 0

Note (5) Definition Of Response Time (T_R , T_F)

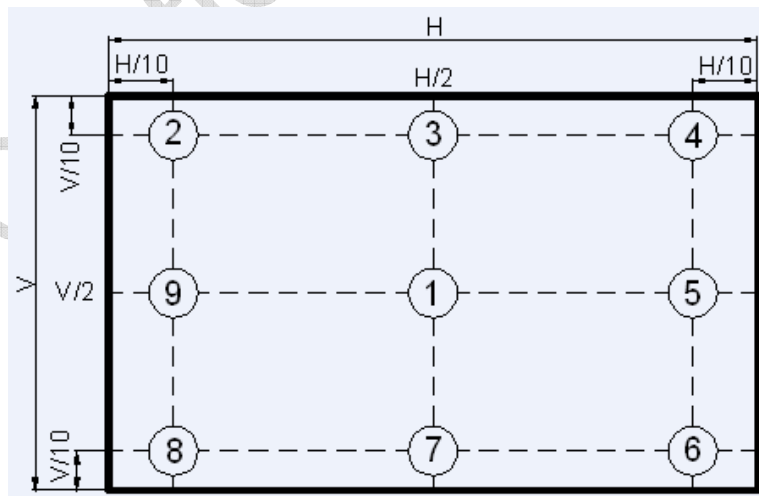
Figure 5 Definition of Response Time



Note (6) Definition Of Brightness Luminance

$$\text{Luminance Uniformity} = \frac{(\text{Min Luminance of 9 points})}{(\text{Max Luminance of 9 points})} \times 100\%$$

Figure 6 Measurement Locations



Document Title	M150GNN2 R0 Product Information			Page No.	11/23
Document No.		Issue date	2013/04/26	Revision	01

5.0 Backlight Characteristics

5.1 Parameter Guideline of LED Backlight

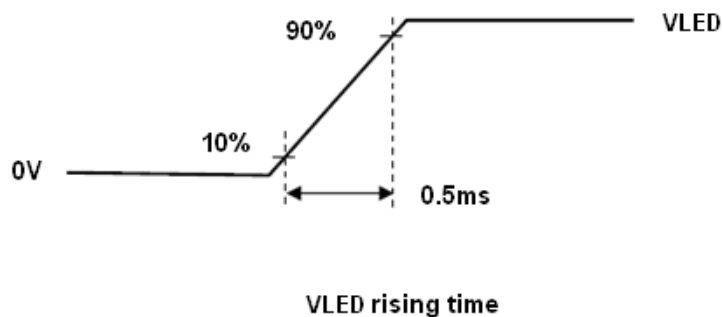
Table 3 Parameter Guideline for LED Backlight

Symbol	Parameter		Min.	Typ.	Max.	Units	Condition
VLED	LED Input		10.8	12	12.6	[V]	Ta=25°C Note B
PLED	LED Power Consumption		-	-	12.5	W	Ta=25°C Note B
VLED_PWM	PWM Signal Voltage	High	4.5	5	5.5	V	Ta=25°C
		Low			0.8	V	
F _{PWM}	PWM dimming Frequency		200	-	20K	Hz	Ddim ≥ 5%
VLED_EN	LED Enable Voltage	High	2.0	5	5.5	V	-
		Low			0.8	V	
LT	LED Life Time		50,000	-	-	Hours	Ta=25°C Note A

Note A: The LED life time define as the estimated time to 50% degradation of initial luminous.

Note B: A higher LED power supply voltage will result in better power efficiency. Keep the VLED between 12V and 12.6V is strongly recommended.

Figure 7 LED Rush Current Measure Condition





Document Title	M150GNN2 R0 Product Information			Page No.	12/23
Document No.		Issue date	2013/04/26	Revision	01

6.0 Electrical Characteristics

6.1 TFT LCD Module Interface Connector

Table 4 Connector Name / Designation

Item	Description
Type / Part Number	MSB240420HD

Table 5 Signal Pin Assignment

Pin #	Signal Name	Description	Remarks
1	VDD	Power Supply, 3.3V (typical)	
2	VDD	Power Supply, 3.3V (typical)	
3	VSS	Ground	
4	REV	Reverse Scan selection	Note
5	Rin1-	-LVDS differential data input (R0-R5,G0)	
6	Rin1+	+LVDS differential data input (R0-R5,G0)	
7	VSS	Ground	
8	Rin2-	-LVDS differential data input	
9	Rin2+	+LVDS differential data input	
10	VSS	Ground	
11	Rin3-	-LVDS differential data input	
12	Rin3+	+LVDS differential data input	
13	VSS	Ground	
14	ClkIN-	-LVDS differential clock input	
15	ClkIN+	+LVDS differential clock input	
16	GND	Ground	
17	Rin4-	-LVDS differential data input	
18	Rin4+	+VDS differential data input	
19	VSS	Ground	
20	NC	Not connect	

Note: I REV = LOW/NC

Document Title	M150GNN2 R0 Product Information			Page No.	13/23
Document No.		Issue date	2013/04/26	Revision	01

Gate Scan :

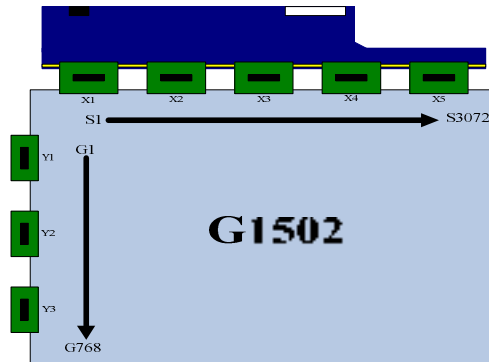
Y1→Y2→Y3

Y1 : G1→G2- - - -→G258

Source Scan :

X1→X2→X3→X4→X5

X1: S1→S2- - - -→S600



II REV = High

Gate Scan :

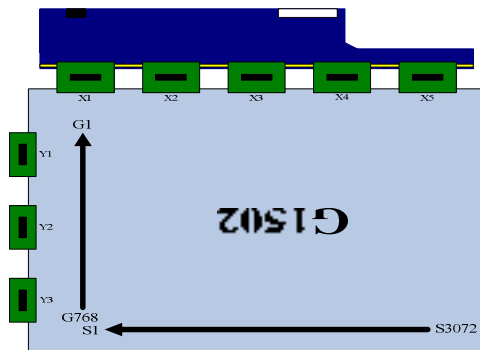
Y3→Y2→Y1

Y1 : G258→G257- - - -→G1

Source Scan :

X5→X4→X3→X2→X1

X1: S600→S599- - - -→S1





Document Title	M150GNN2 R0 Product Information			Page No.	14/23
Document No.		Issue date	2013/04/26	Revision	01

6.2 LED Interface Connector

Table 6 Connector Name / Designation

Connector Name/Designation	LED Driver Connector
Manufacturer	STM or compatible
Connector Model Number	MSB24038P5A or compatible
Mating Model Number	P24038P5A or compatible

Table 7 LED Connector Pin Assignment

Pin#	Symbol	Signal Name
1	Vcc	12V
2	GND	GND
3	Enable	5V-On / 0V-Off
4	Dimming	PWM Dimming or Analog Dimming
5	NC	NC

Document Title	M150GNN2 R0 Product Information			Page No.	15/23
Document No.		Issue date	2013/04/26	Revision	01

7.0 Interface Timings

7.1 Timing Characteristics

Table 8 Interface Timings

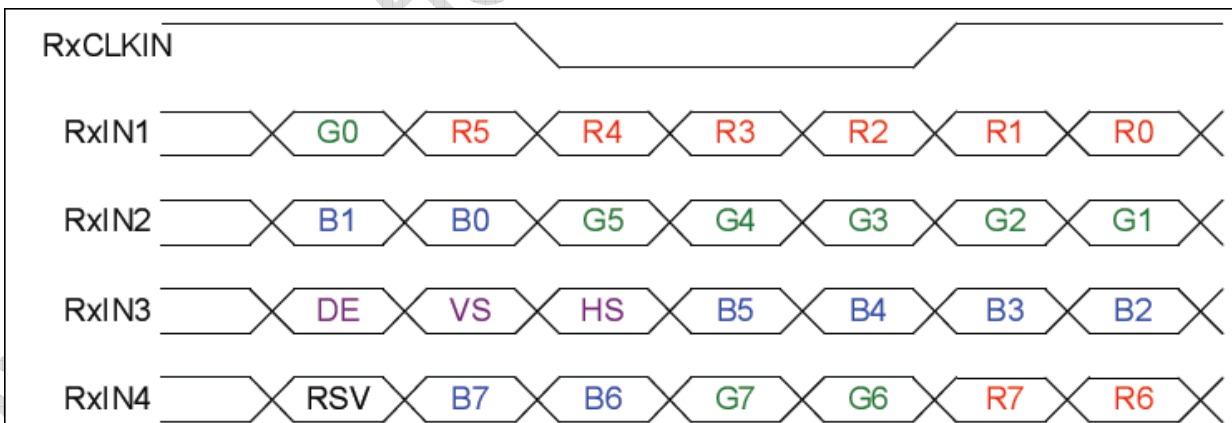
Synchronization Method : DE only

Parameter	Symbol	Unit	Min.	Typ.	Max.
LVDS Clock Frequency <single >	fdck	MHz	50	65	80
H Total Time	Thp	clocks	1056	1344	1720
H Active Time	HA	clocks	1024	1024	1024
H Front Porch	Thfp	clocks	-	48	-
H Sync Pulse Width	HSPW	clocks	-	32	-
H Back Porch	Thbp	clocks	-	240	-
H Frequency	fh	kHz	46.32	48.36	59.40
V Total Time	Tvp	lines	772	806	990
V Active Time	VA	lines	768	768	768
V Front Porch	Tvfp	lines	-	3	-
V Sync Pulse Width	VSPW	lines	-	12	-
V Back Porch	Tvbp	lines	-	23	-
V Frequency	fv	Hz		60	

Note: H Blank area and V Blank area can not be changed at every frame

7.2 Timing Diagram of Interface Signal

Figure 8 Timing Characteristics



Note1 : Follow SPWG

Note2 : R/G/B data7: MSB, R/G/B data0: LSB

Document Title	M150GNN2 R0 Product Information			Page No.	16/23
Document No.		Issue date	2013/04/26	Revision	01

8.0 Power Consumption

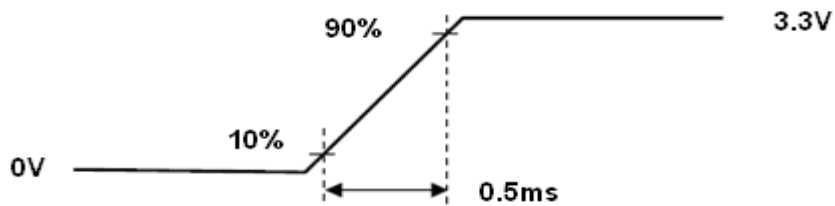
Input power specifications are as follows.

Table 9 Power Consumption

Symbol	Parameter	Min.	Typ.	Max.	Units	Condition
VDD	Logic/LCD Drive Voltage	3.0	3.3	3.6	[V]	-
IDD	VDD Current	-	0.25	0.40	[A]	3.3V/Black pattern
PDD	VDD Power	-	-	1.3	[W]	Black Pattern, 60Hz
Irush	Rush Current	-	-	0.75	[A]	Note1
VDDrp	Allowable Logic/LCD Drive Ripple Voltage	-	-	200	[mV]p-p	Note 2

Note 1.Measure Condition

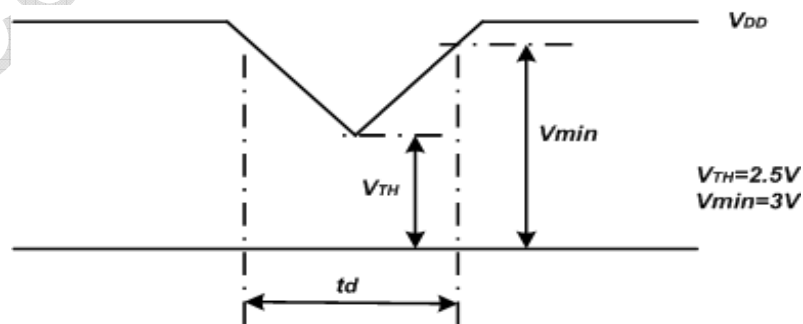
Figure 9 VDD rising time



VDD rising time

Note 2. VDD Power Dip Condition

Figure 10 VDD Power Dip



If $V_{TH} < V_{DD} \leq V_{min}$, then $t_d \leq 10ms$; When the voltage return to normal our panel must revive automatically.

Document Title	M150GNN2 R0 Product Information			Page No.	17/23
Document No.		Issue date	2013/04/26	Revision	01

9.0 Power ON/OFF Sequence

VDD power on/off sequence is as follows. Interface signals are also shown in the chart. Signals from any system shall be Hi-Z state or low level when VDD is off.

Figure 11 Power Sequence

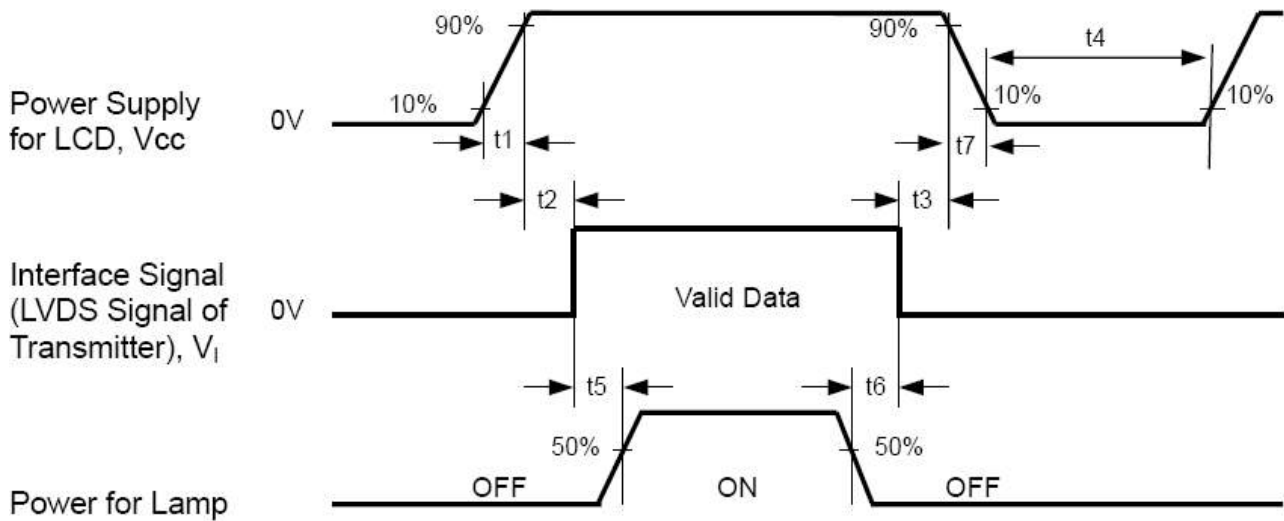


Table 10 Power Sequencing Requirements

Parameter	Symbol	Unit	min	Typ.	max
VDD Rise Time	T1	ms	0.5	-	10
VDD Good to Signal Valid	T2	ms	0	-	20
Signal Disable to Power Down	T3	ms	0	-	1000
Power Off	T4	ms	1000	-	
Signal Valid to Backlight On	T5	ms	300	-	
Backlight Off to Signal Disable	T6	ms	200	-	
VDD Fall Time	T7	ms	0	-	100



Document Title	M150GNN2 R0 Product Information			Page No.	18/23
Document No.		Issue date	2013/04/26	Revision	01

10.0 Mechanical Characteristics

10.1 Outline Drawing

Figure 12 Reference Outline Drawing (Front Side)

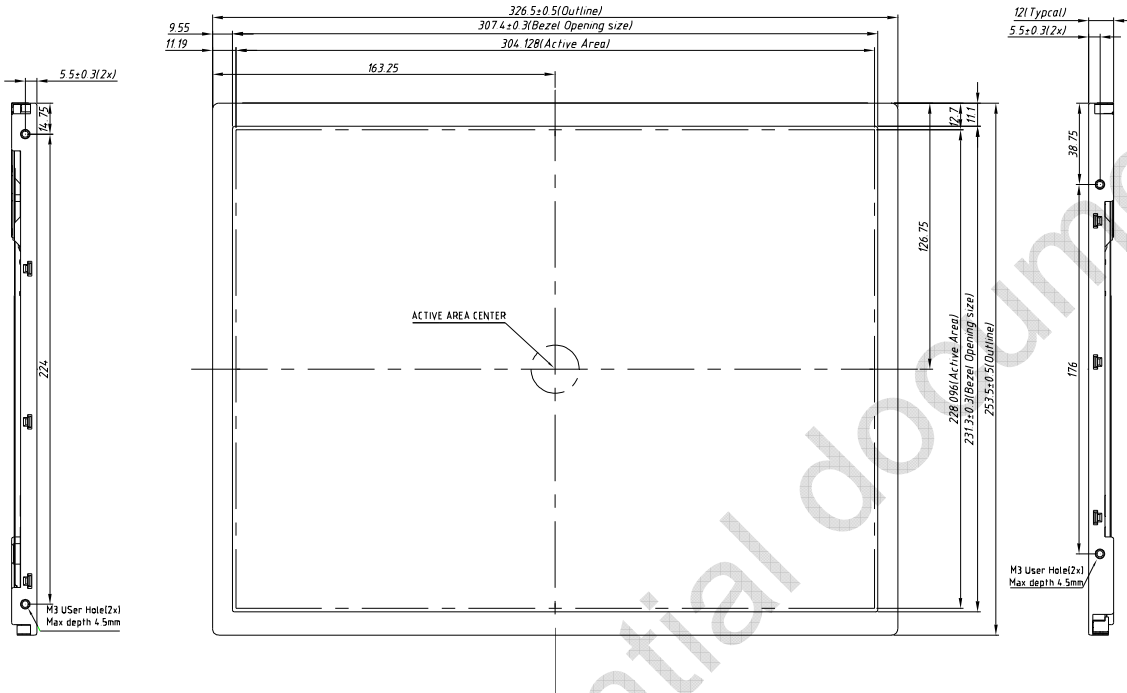
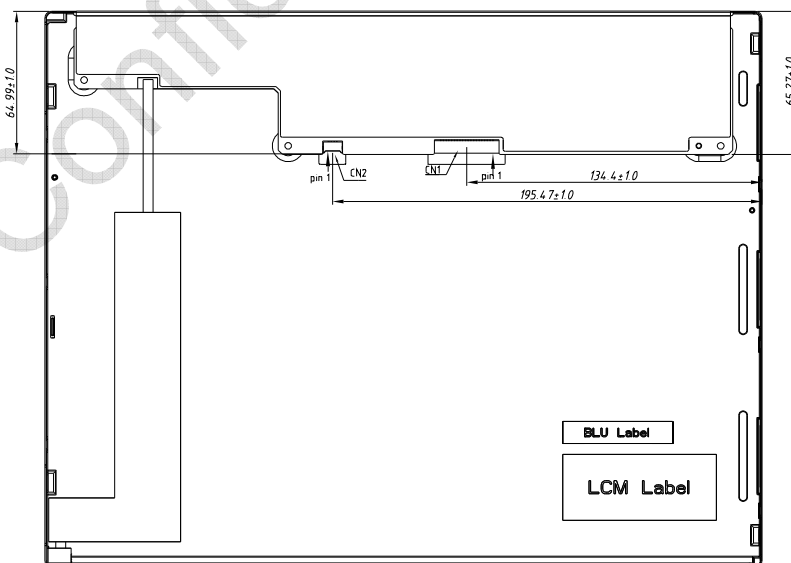


Figure 13 Reference Outline Drawing (Back Side)





Document Title	M150GNN2 R0 Product Information			Page No.	19/23
Document No.		Issue date	2013/04/26	Revision	01

10.2 Dimension Specifications

Table 11 Module Dimension Specifications

Width [mm]	326.5±0.5
Height [mm]	253.5±0.5
Thickness [mm]	12±0.5
Weight [g]	930(Typ.) 960(Max)

11.0 Reliability

Item	Criterion
A	There is no function defect and occurrence of any new defective shall not be allowed.
B	In case of malfunction defect caused by ESD damage. If it would be recovered to normal state after resetting, it would be judge as pass.
C	25°C: Image Sticking is not visible through 8% ND filter after 5 min with pattern L127. 70°C: Image Sticking is not visible through 8% ND filter after 10 min with pattern L127

Item	Package	Test Conditions	Conditions	
High Temperature Operation Test	Module	85°C, 500hrs	A	
Low Temperature Operating Test	Module	-30°C, 500hrs	A	
High Temp./High Humidity Operating Test	Module	50°C, 85%, 500hrs	A	
High Temp./High Humidity Storage Test	Module	50°C, 95%, 500hrs	A	
Thermal Shock Non-operation Test	Module	-20°C~60°C, 1hr/each cycle, 100cycles	A	
Shock	Module	3 shock in each direction Peak acceleration:981m/s2 Half Sine Wave; 6ms	A	
Vibration	Module	1.5G , 10~500 Hz , x、 y、 z each axis/1h	A	
Drop Test	With package	65cm, 1corner,3 arris,6 side	A	
Vibration Test	With package	1.5G , 10~500 Hz , x、 y、 z each axis/1h	A	
ESD Test	operating	Module	contact ± 8 KV	B



Document Title	M150GNN2 R0 Product Information			Page No.	20/23
Document No.		Issue date	2013/04/26	Revision	01

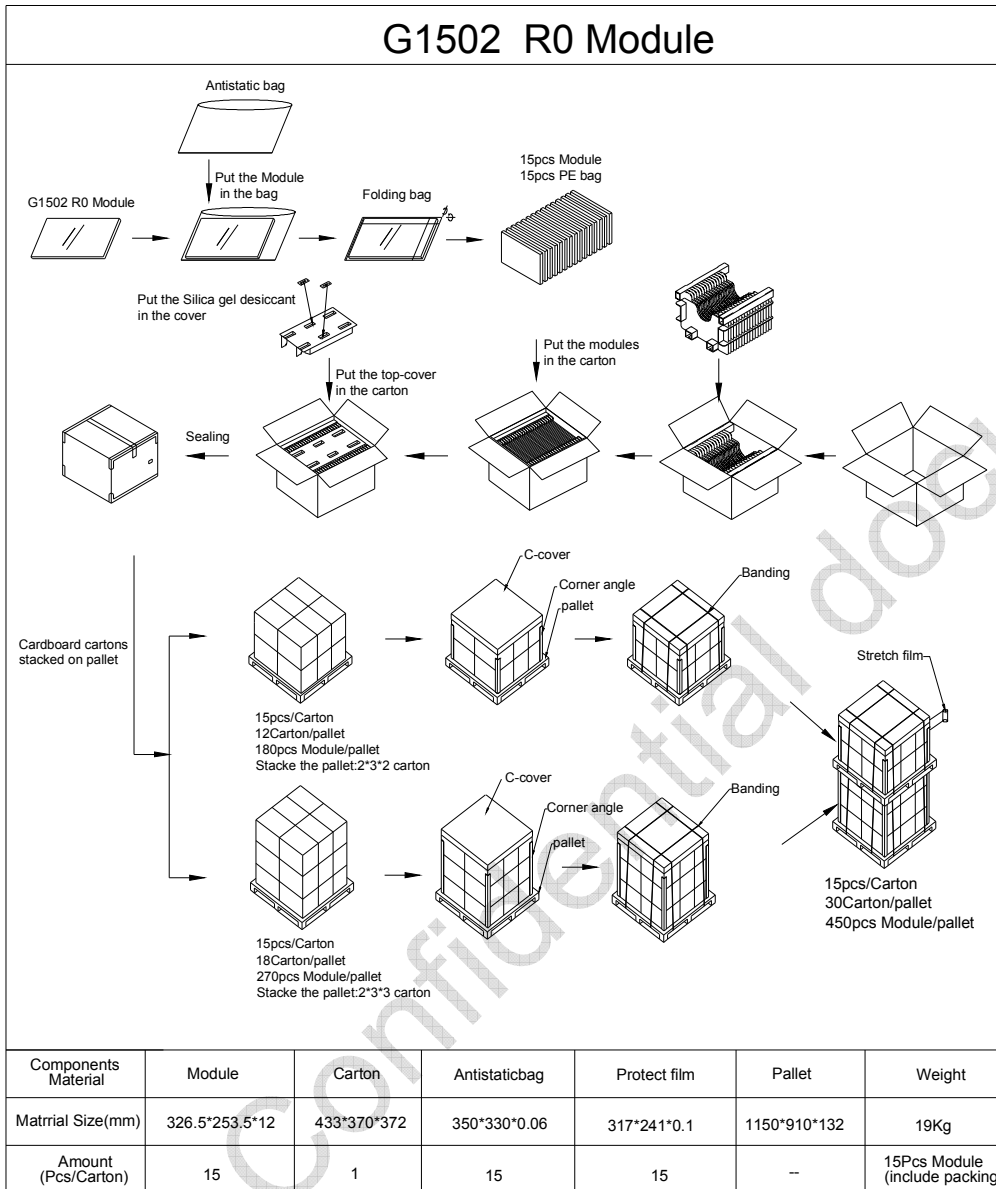
		air	± 15 KV	
	non-operating	contact	± 10 KV	
		air	± 20 KV	
Image Sticking test	Module	25°C&70°C, chess pattern (5*7) test 24hrs		C

Note: 1. In Operating test ,the B/L voltage and current must be in spec.

2. All the judgments are under normal temperature and the sample need to be static more than 2 hours in the normal temperature before judge.
3. During measurement, the condensation water or remains shall not be allowed.
4. The minimum sample quantity of test is 3pcs.
5. There is no display function fail issue occurred, all the cosmetic specification is judged before the reliability stress.

Document Title	M150GNN2 R0 Product Information			Page No.	21/23
Document No.		Issue date	2013/04/26	Revision	01

12.0 Package Specification





Document Title	M150GNN2 R0 Product Information			Page No.	22/23
Document No.		Issue date	2013/04/26	Revision	01

13.0 Lot Mark

TBD

14.0 General Precaution

14.1 Use Restriction

This product is not authorized for use in life supporting systems, aircraft navigation control systems, military systems and any other application where performance failure could be life-threatening or otherwise catastrophic.

14.2 Handling Precaution

- (1) Please mount LCD module by using mounting holes arranged in four corners tightly.
- (2) Do not disassemble or modify the module. It may damage sensitive parts inside LCD module, and may cause scratches or dust on the display. IVO does not warrant the module, if customers disassemble or modify the module.
- (3) If LCD panel is broken and liquid crystal spills out, do not ingest or inhale liquid Crystal, and do not contact liquid crystal with skin. If liquid crystal contacts mouth or eyes, rinse out with water immediately. If liquid crystal contacts skin or cloths, wash it off immediately with alcohol and Rinse thoroughly with water.
- (4) Disconnect power supply before handling LCD module
- (5) Refrain from strong mechanical shock and /or any force to the module.
- (6) Do not exceed the absolute maximum rating values, such as the supply voltage variation, input voltage variation, variation in parts' parameters, environmental temperature; etc otherwise LCD module may be damaged. It's recommended employing protection circuit for power supply.
- (7) Do not touch, push or rub the polarizer with anything harder than HB pencil lead. Use fingerstalls of soft gloves in order to keep clean display quality, when Persons handle the LCD module for incoming inspection or assembly.
- (8) When the surface is dusty, please wipe gently with absorbent cotton or other soft Material. When cleaning the adhesives, please use absorbent cotton wetted with a little Petroleum benzene or other adequate solvent.
- (9) Wipe off saliva or water drops as soon as possible. If saliva or water drops Contact with polarizer for a long time, they may causes deformation or color Fading.
- (10) Protection film must remove very slowly from the surface of LCD module to Prevent from electrostatic occurrence.
- (11) Because LCD module uses CMOS-IC on circuit board and TFT-LCD panel, it is Very weak to electrostatic discharge, Please be careful with electrostatic Discharge .Persons who handle the module should be grounded through adequate methods.
- (12) Do not adjust the variable resistor located on the module.

14.3 Storage Precaution

- (1) Please do not leave LCD module in the environment of high humidity and high temperature for a long time.
- (2) The module shall not be exposed under strong light such as direct sunlight. Otherwise, Display characteristics may be changed.



Document Title	M150GNN2 R0 Product Information			Page No.	23/23
Document No.		Issue date	2013/04/26	Revision	01

- (3) The module should be stored in a dark place. It is prohibited to apply sunlight or fluorescent light in storage.

14.4 Operation Precaution

- (1) Do not connect or disconnect the module in the "Power On" condition.
- (2) Power supply should always be turned on/off by 9.0 "Power on/off sequence"
- (3) Module has high frequency circuits. Sufficient suppression to the electromagnetic interference should be done by system manufacturers. Grounding and shielding methods may be important to minimize the interference.
- (4) After installation of the TFT Module into an enclosure, do not twist nor bend the TFT Module even momentary. At designing the enclosure, it should be taken into consideration that no bending/twisting forces are applied to the TFT Module from outside. Otherwise the TFT Module may be damaged.

14.5 Others

- (1) Ultra-violet ray filter is necessary for outdoor operation.
- (2) Avoid condensation of water which may result in improper operation or disconnection of electrode.
- (3) If the module keeps displaying the same pattern for a long period of time, the image may be "sticked" to the screen.
- (4) This module has its circuitry PCB's on the rear side and should be handled carefully in order not to be stressed.

14.6 Disposal

When disposing LCD module, obey the local environmental regulations.