

BTC02-E1

BOE Infrared Thermometer



Key Features

- Dual Cameras, visible light camera plus Infrared camera
- Support thermal imaging, temperature measurement, face intelligent recognition
- Dual-view registration mechanism makes visible light and thermal imaging field of view the same
- High accuracy temperature measurement, accuracy $\leq 0.3^{\circ}\text{C}$
- Real-time temperature measurement, multi-target synchronized automatic measurement, response time within 30 ms
- Visible image display, convenient for temperature monitoring
- Intelligent over-temperature sound and light alarm, rapid screening and tracking of abnormal body temperature

Specification

Infrared Camera Characteristics

Infrared sensor	Uncooled infrared focal plane sensor
Material	vanadium oxide
Native pixels	400×300
Video resolution	704×576
Pixel pitch	17μm
Response band	8 to 14μm
Thermal sensitivity NETD	40mK
Frame rate output	50/60Hz
Camera lens	8mm
Focus mode	Manual
Field angle	46°×35°
F Value	1.0
False color image mode	Black / White / Rainbow / Iron Red / Customized(up to 17 color mode)

Visible Light Camera Characteristics

Effective pixels	1920(H)×1080(V)
Wide dynamic range	> 120dB
Signal to noise ratio	>55dB
Aperture mode	Auto/Manual
Minimum illumination	color : 0.1Lux,(F1.2,AGC ON); Black/white : 0.01Lux (F1.2,AGC OFF)
Day-night mode	With moving filter, automatic day and night switch
Digital noise reduction	3D/2D
Electric focusing lens	2.8MM-12MM
Image settings	Sharpness, saturation, brightness, gain, shutter adjustable

Temperature Measurement Characteristics

Function	Human body temperature monitoring
Alarm	Over temperature alarm, temperature difference alarm,
Accuracy	≤0.3 °C (emissivity, distance, ambient temperature settings)
Multi- target detection	Support temperature measurement of 16 targets at the same time
Response time	real time
Operation temperature	-20 °C to + 60 °C
Temperature display mode	If measurement> 5 °C, display absolute temperature value
Temperature measurement range	-20 °C to + 60 °C

Specification

Encoding Characteristics

Video compression standard	H.265/H.264//MJPEG
Audio compression standard	G.711:8kbps ; RAW_PCM:16kbps
Resolution / frame rate	1080P/30fps(visible light) , D1/30fps(thermal)
Mode	PAL/NTSC
Multi-stream	Support
Bit rate control	CBR/VBR

Functional Characteristics

Face detection	Automatically detect and capture faces in images.
Smart alarm	Motion detection alarm, I / O alarm, disk alarm, intelligent analysis alarm, temperature measurement warning
Smart analysis	Area invasion, cordon, dual cordon, items left, items removed
Time-phased configuration	Support
Privacy masking	5 areas, area size can be set
Character display	Temperature, time, date, channel number, channel name and customized text

Network Characteristics

Network protocol	IPv4、RTSP/RTP/RTCP、TCP/UDP、HTTPS、DHCP、DNS、DDNS、PPPoE、SMTP
Number of concurrent	10 channels
User rights	Divided into two levels: administrators and ordinary users, administrators can assign different permissions to ordinary users
Support SDK development	Linux C /windows C&C++ SDK
Front-end access protocol	ONVIF/T28181 (Customized)

Interface Characteristics

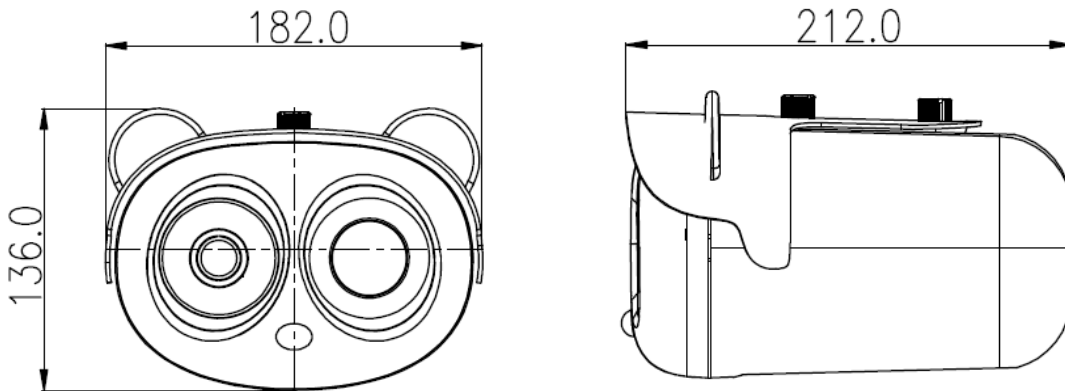
Network Interface	RJ-45, 10 / 100Base-T
Audio port	1 audio input, 1 audio output, support two-way voice
Alarm interface	2 alarm input, 2 alarm output
Analog video output interface	BNC, 75 ohm
PTZ control interface	RS485
SD card interface	Micro SD card / HCSD card, support up to 128GB

Specification

Physical Characteristics

Power supply	DC12V/POE
Power consumption	≤10W(heating not included)
Operation temperature	-30°C to +60°C
Operation environment	Indoor
Operation humidity	90% (RH)MAX
Installation method	Wall-mount
Sunshade	Cartoon
Weight (without stand)	2.12Kg
Protection level	IP66
Size (without bracket)	212 x 182 x 136mm(L x W x H)

Dimension Drawing (mm)



Product Image

